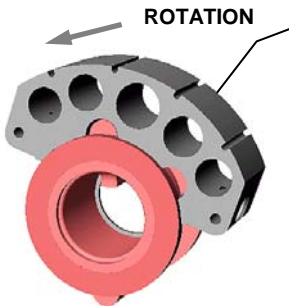
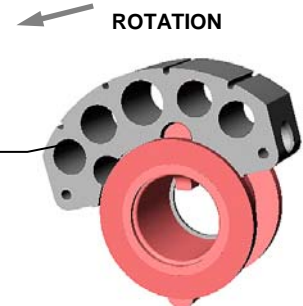


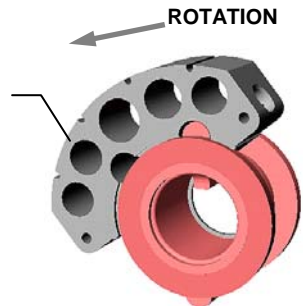
SETTING #1
FOR VERY SMOOTH,
GRADUAL ENGAGEMENT
AND HIGH INERTIA STARTS.

SETTING #2
FOR MODERATE TO
RAPID ENGAGEMENT
AND AVERAGE TO
LOW INERTIA STARTS.



SETTING #3
FOR SMOOTH, GRADUAL
ENGAGEMENT AND AVERAGE
TO HIGH INERTIA STARTS.

SETTING #4
FOR RAPID ENGAGEMENT
AND LOW INERTIA
STARTS.



SHOE SETTING OPTIONS